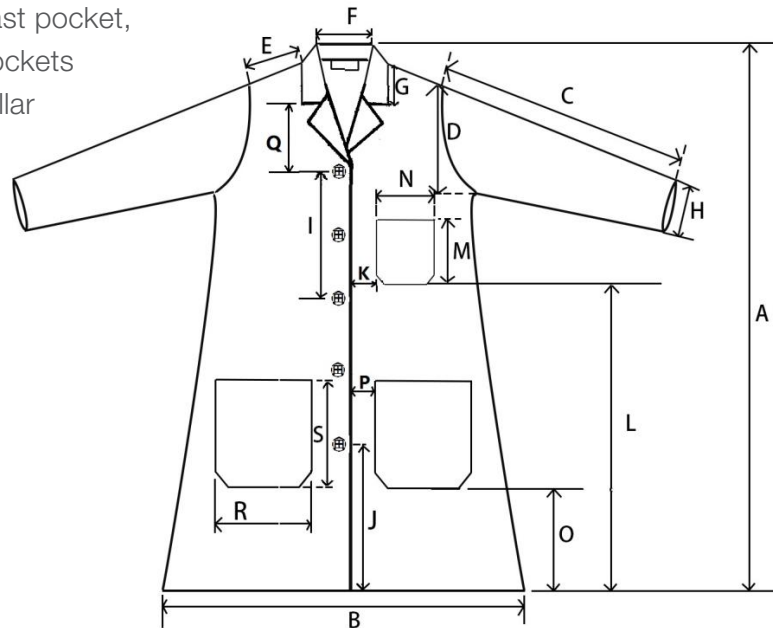


# Fisherbrand Polycotton Lab coats

## Fisherbrand™ Women's Polycotton Lab Coats

Generously sized for comfort with a belted back

- Made of 65/35 polycotton
- One outside left breast pocket, two outside lower pockets
- Standard pointed collar
- Front button closure
- Straight cuffs
- White

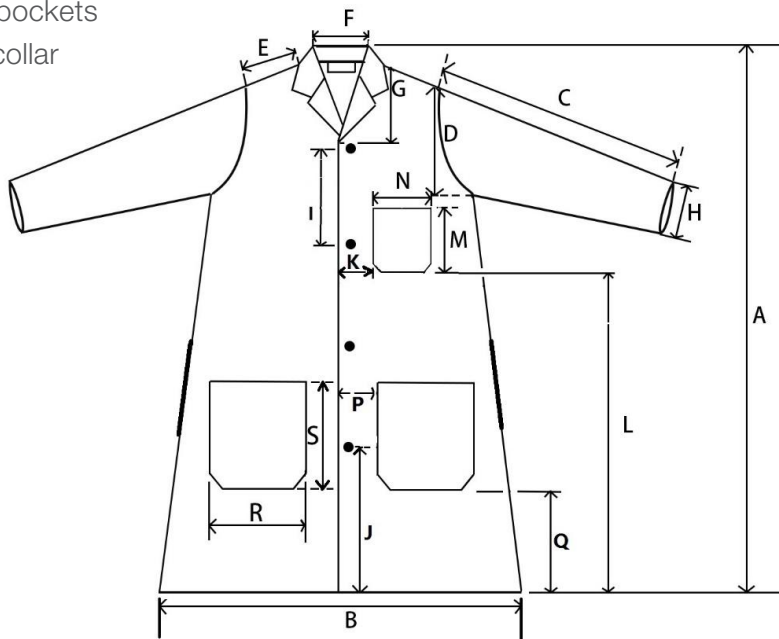


Cat. No	15807101	15817101	15827101	15837101	15847101	15857101	15867101	15877101	
Size	XS	S	M	L	XL	2XL	3XL	4XL	Δ
A, cm	94	96	98	100	102	104	106	108	±2
B, cm	61.5	63.5	65.5	67.5	69.5	71.5	73.5	75.5	±2
C, cm	55	56	57	58	59	60	61	62	±2
D, cm	22	22.5	23	23.5	24	24.5	25	25.5	±2
E, cm	13.7	14	14.3	14.6	14.9	15.2	15.5	15.8	±1
F, cm	15.1	15.5	15.9	16.6	16.7	17.1	17.5	17.9	±1
G, cm	9.3	9.5	9.7	9.9	10.1	10.3	10.5	10.7	±2
H, cm	12.7	13.2	13.7	14.2	14.7	15.2	15.7	16.2	±1
I, cm	22	22.5	22.5	22.5	23	23	23.5	23.5	±2
J, cm	24	25	26	27	28	29	30	31	±2
K, cm	3	3	3	3.5	3.5	3.5	4	4	±1
L, cm	51	52	53	54	55	56	57	57	±2
M, cm	13.5	13.5	13.5	13.5	13.5	13.5	13.5	13.5	±1
N, cm	12.8	12.8	12.8	12.8	12.8	12.8	12.8	12.8	±1
O, cm	17	18	19	20	21	22	23	24	±1
P, cm	5	5	5	5.5	5.5	5.5	6	6	±2
Q, cm	13	13	13	13.5	13.5	13.5	14	14	±2
R, cm	18	18	18	18	18	18	18	18	±1
S, cm	18	18	18	18	18	18	18	18	±1

# Fisherbrand™ Men's Polycotton Lab Coats

With Front gripper closures

- Made of 65/35 polycotton
- One outside left breast pocket, two outside lower pockets
- Standard pointed collar
- Front snap closure
- Straight cuffs
- White

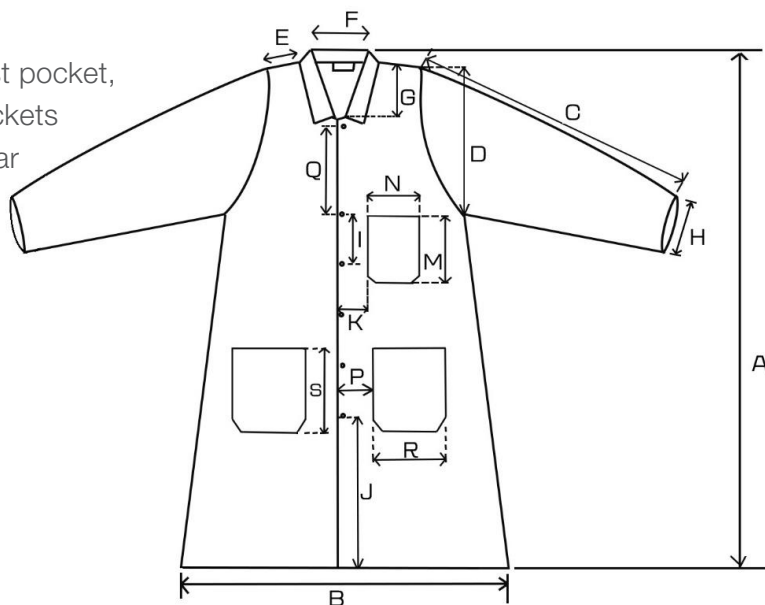


Cat. No	15897091	15817091	15827091	15837091	15847091	15857091	15867091	15877091	15887091	
Size	XS	S	M	L	XL	2XL	3XL	4XL	5XL	Δ
A, cm	106	108	110	112	114	116	118	120	122	±2
B, cm	65	66	68	70	72	74	76	78	80	±2
C, cm	60.5	61.5	62.5	63.5	64.5	65.5	66.5	67.5	68.5	±2
D, cm	23	23.5	24	24.5	25	25.5	26	26.5	27	±2
E, cm	15	15.3	15.6	15.9	16.2	16.6	17	17.4	17.8	±1
F, cm	18.2	18.2	18.2	19	19.	20.	20	20.5	20.5	±1
G, cm	30.5	31	31.5	31.5	32	32	33	33	33	±1
H, cm	14.5	15	15.5	16	16	16.5	16.5	17	17	±1
I, cm	15	15	15	15	15.5	15.5	16	16	16.5	±1
J, cm	30	30.5	31.5	32.5	33.5	34.5	34.5	35	35.5	±2
K, cm	7.5	7.5	7.5	7.5	7.5	8.5	8.5	8.5	8.5	±1
L, cm	62	63	64	65	66	67	68	69	70	±2
M, cm	13.5	13.5	13.5	13.5	13.5	13.5	13.5	13.5	13.5	±1
N, cm	12.8	12.8	12.8	12.8	12.8	12.8	12.8	12.8	12.8	±1
P, cm	9.8	9.8	9.8	9.8	9.8	9.8	9.8	9.8	9.8	±2
Q, cm	27.5	28.5	29.5	30.5	31.5	32.5	33	33	34	±2
R, cm	18	18	18	18	18	18	18	18	18	±1
S, cm	18	18	18	18	18	18	18	18	18	±1

# Fisherbrand™ Unisex Cotton Lab Coats

With Front gripper closures

- Made of 100% cotton
- One outside left breast pocket, two outside lower pockets
- Standard pointed collar
- Front snap closure
- Straight cuffs
- White



Cat. No	15887101	15897101	15807111	15817111	15827111	15837111	
Size	S	M	L	XL	2XL	3XL	Δ
A, cm	112	114	116	118	120	122	±2
B, cm	65.2	67.2	69.3	71.4	73.5	75.6	±2
C, cm	62	63	64	65	66	67	±2
D, cm	25	25.5	26	26.5	27	27.5	±2
E, cm	15.6	16	16.4	16.8	17.2	17.6	±1
F, cm	19.5	19.5	20.5	20.5	20.5	21	±1
G, cm	9.2	9.5	10	10.5	10.5	10.8	±2
H, cm	15	15	15.5	15.5	16	16	±1
I, cm	12	12	12	12	12	12	±1
J, cm	31.5	32	32.5	33	33.5	34	±2
K, cm	8.5	8.7	8.7	8.7	8.7	8.7	±1
M, cm	14.5	14.5	14.5	14.5	14.5	14.5	±1
N, cm	12.7	12.7	12.7	12.7	12.7	12.7	±1
P, cm	8.7	8.7	8.7	8.7	8.7	8.7	±2
Q, cm	20	20.5	20.5	20.5	21	21	±2
R, cm	18.5	18.5	18.5	18.5	18.5	18.5	±1
S, cm	18.5	18.5	18.5	18.5	18.5	18.5	±1

Find out more at [eu.fishersci.com](http://eu.fishersci.com)

Austria: +43(0)800-20 88 40 Belgium: +32 (0)56 260 260 Denmark: +45 70 27 99 20  
 Germany: +49 (0)2304 9325 Ireland: +353 (0)1 885 5854 Italy: +39 02 950 59 478  
 Finland: +358 (0)9 8027 6280 France: +33 (0)3 88 67 14 14 Netherlands: +31 (0)20 487 70 00  
 Norway: +47 22 95 59 59 Portugal: +351 21 425 33 50 Spain: +34 902 239 303  
 Sweden: +46 31 352 32 00 Switzerland: +41 (0)56 618 41 11 UK: +44 (0)1509 555 500

